

CS-130D ALTERNATOR

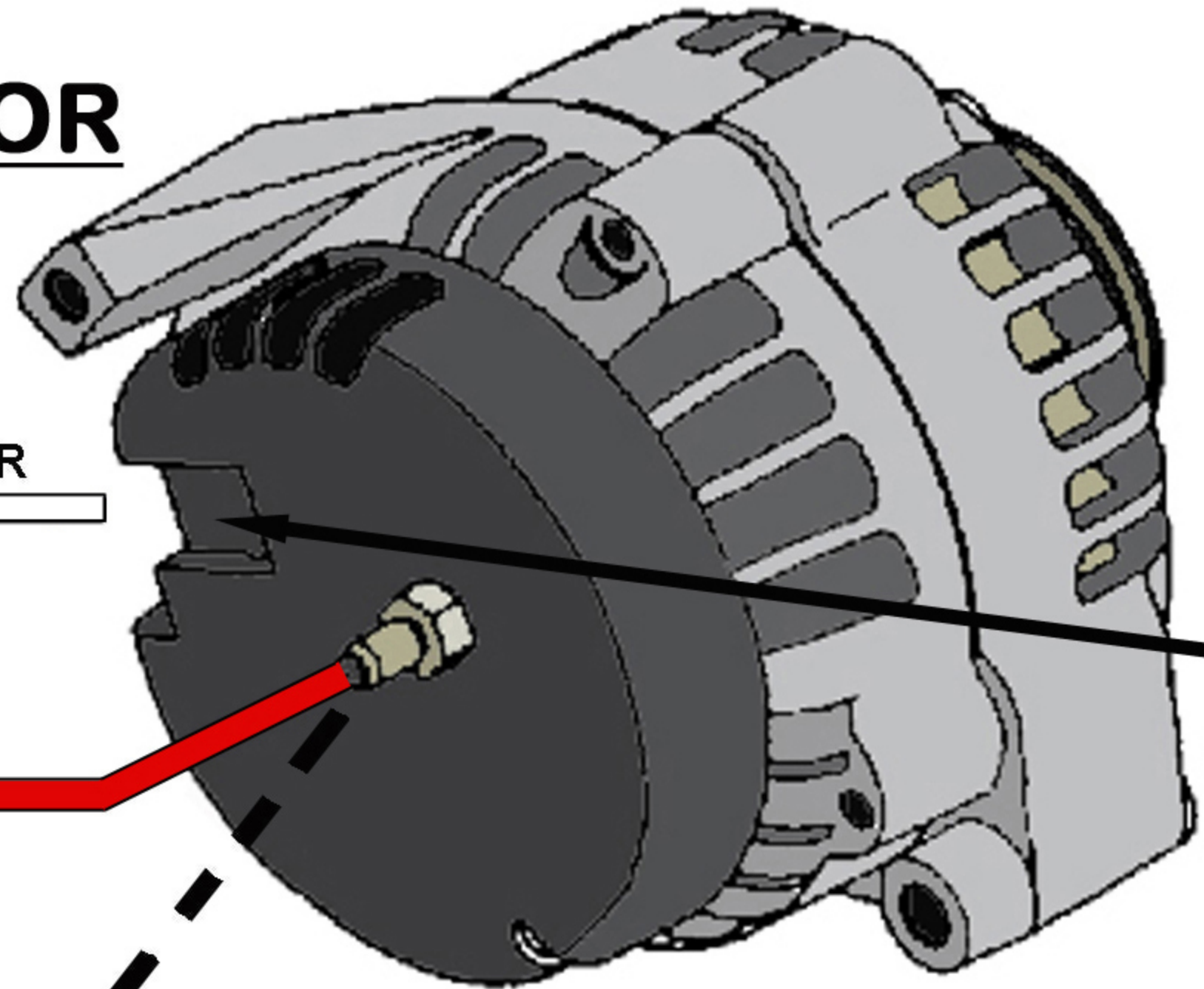
PAINLESS
PERFORMANCE PRODUCTS

#914 TO ALTERNATOR REGULATOR EXCITER

#915 ALTERNATOR OUTPUT

#995 REGULATOR BATTERY POWER

Connect to Output Post or Remove from Harness



METHOD #1- USING 2 SPLICES

